

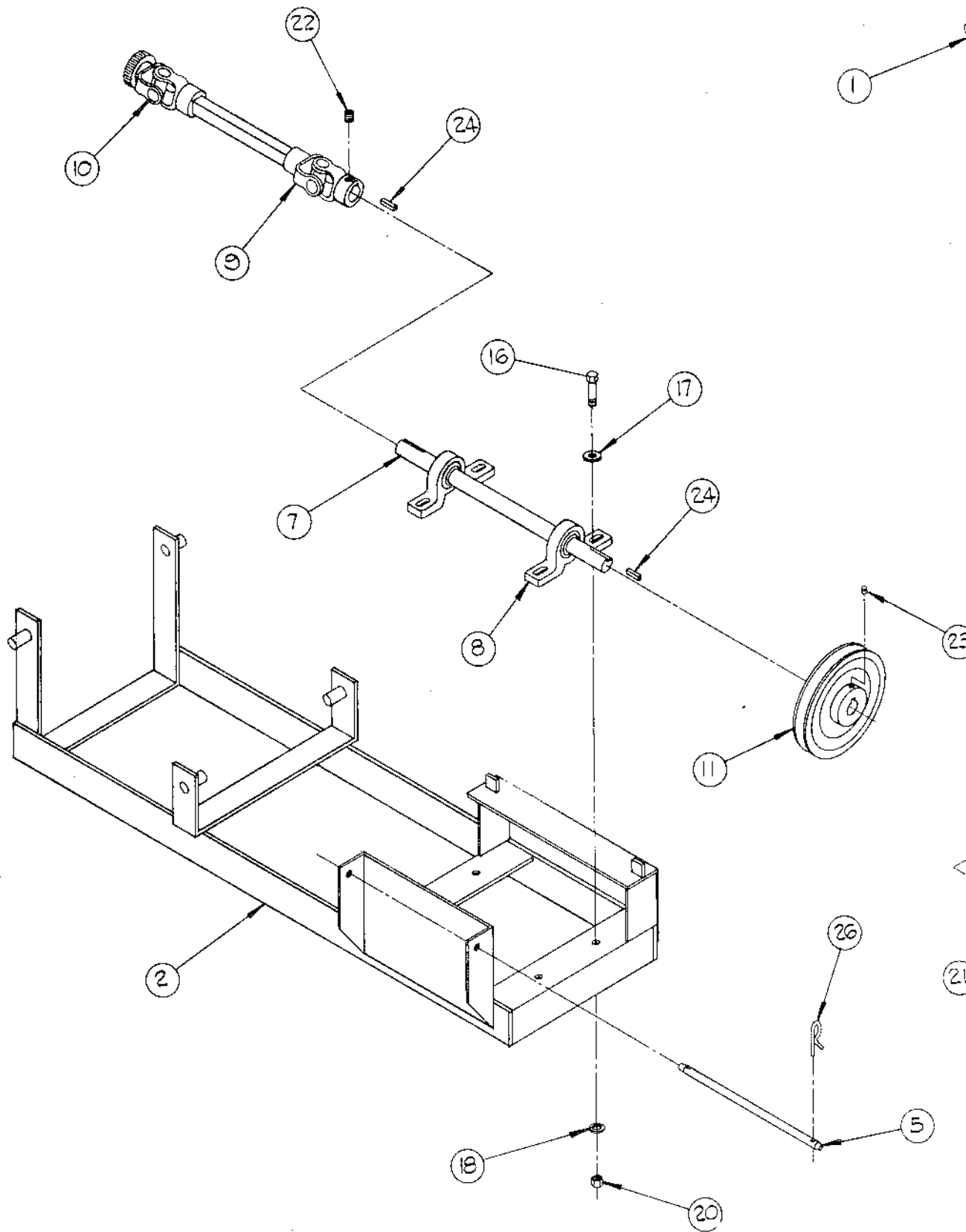
## INSTRUCTIONS FOR MOUNTING A MIGHTY MAC SHREDDER-GRINDER ON A GRAVELY FOUR WHEEL TRACTOR

Before proceeding with the assembly of your MIGHTY MAC shredder-grinder examine the shipping carton for damage. If the contents have been damaged, file a claim immediately with the carrier. Carefully study the assembly drawings and make sure you have a complete kit. If there is a shortage, report it to your dealer for replacement.

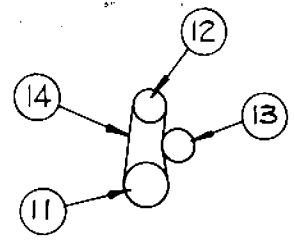
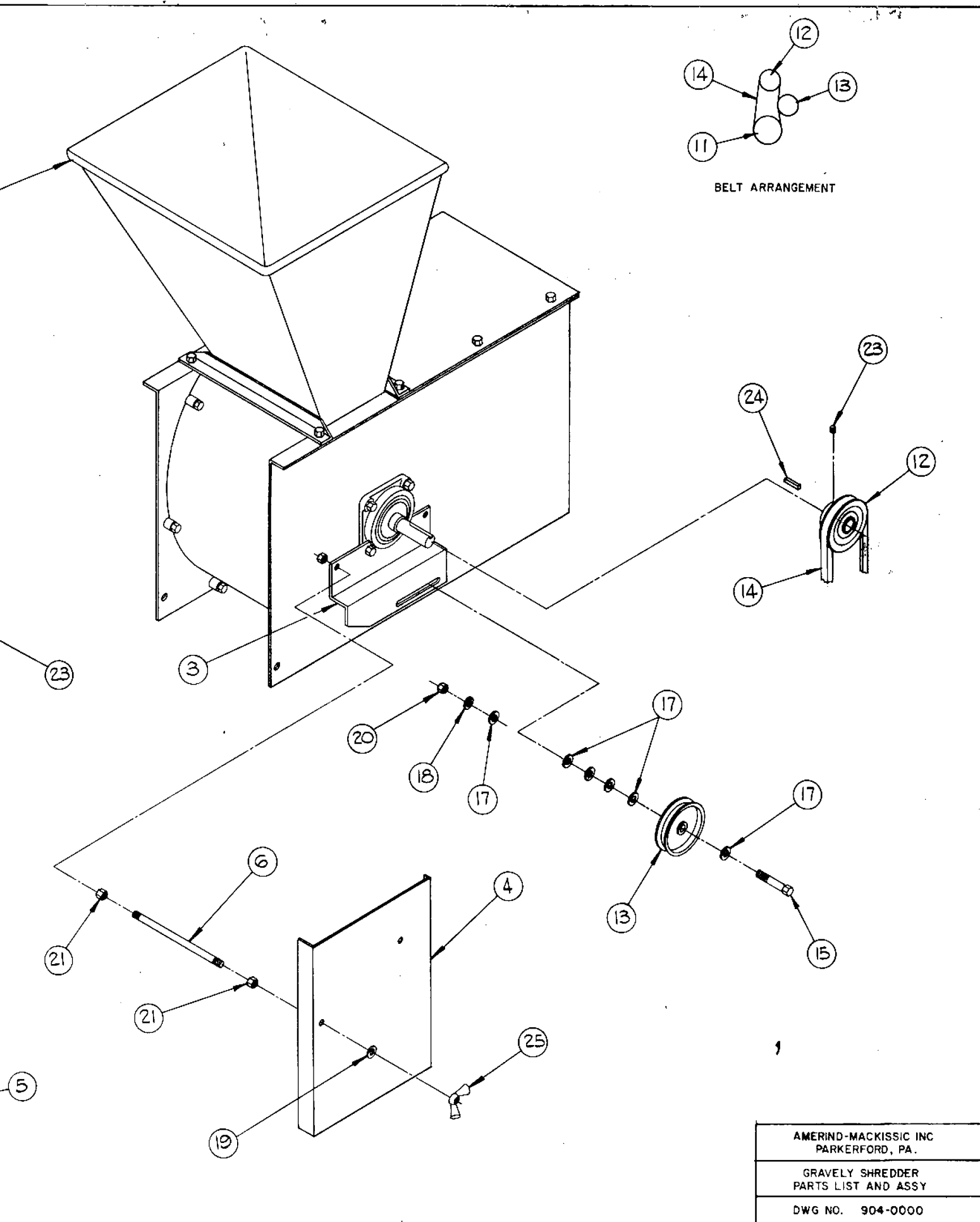
NOTE: In the following instructions the "KEY" number refers to the item number encircled on the assembly drawing.

1. Slide the mounting frame (Key no. 2) under the front axle of the tractor. Lift the front of the frame and slip the mounting pins on the frame into the lugs on the tractor. Then lift the rear of the frame to seat the rear mounting pins in the lugs under the tractor.
2. Insert the shaft key (Key no. 24) in the keyway of the jackshaft and slide the shredder PTO (Key no. 9) on the jackshaft. Tighten the set screw (Key no. 22).
3. Insert the end of the square PTO shaft in the end of the tractor PTO joint (Key no. 10). Pull the spring-loaded collar of the PTO joint back and slip the joint over the tractor PTO output shaft. Release the collar to secure the connection.
4. Mount the shredder on the mounting frame. Insert the shredder mounting pin (Key no. 5) in the aligned holes in the shredder and the frame. Secure the pin with two hair cotter pins (Key no. 26).
5. Check the alignment of the jackshaft pulley (Key no. 11), the shredder pulley (Key no. 12), and the idler pulley (Key no. 13). If adjustment is necessary, loosen the set screws on the jackshaft or shredder pulleys and move in or out as required. Be sure to retighten the set screws.
6. Install the belt (Key no. 14). Slide the idler pulley (Key no. 13) against the outside of the belt to achieve the correct tension. Be sure to tighten the idler pulley bolt (Key no. 15).
7. Install the belt shield (Key no. 4) using the shield bracket studs (Key no. 6), washers and wing nuts shown.
8. Be sure the read the Operating Instructions carefully before operating your MIGHTY MAC.

**WARRANTY:** Amerind-MacKissic consumer products are warranted free of defects in material and workmanship for a period of one year after date of purchase. Under normal use, parts of workmanship found defective will be replaced or repaired without charge to the customer other than freight or mailing. We reserve the right to require the return of defective materials to verify the claim, parts shipped to us prepaid. Repair or replacement must be done by an authorized Amerind-MacKissic dealer. Delivery or pickup charges between dealer and customer are not a part of this warranty. This warranty does not include the engine, which is covered by the engine manufacturer. This warranty is void if the customer has not returned a warranty — proof of purchase card to Amerind-MacKissic immediately upon purchase. This warranty is extended only to the original purchaser. This warranty applies for ninety days to commercial or rented machines. This is a limited warranty. Printed in USA



6/22/87



AMERIND-MACKISSIC INC PARKERFORD, PA.
GRAVELY SHREDDER PARTS LIST AND ASSY
DWG NO. 904-0000

GRAVELY SHREDDER PARTS LIST  
904-0000

<u>KEY NO.</u>	<u>PART NO.</u>	<u>DESCRIPTION</u>	<u>QTY.</u>
1	900-0051	Basic R.H. Shredder	1
2	904-0002	Frame	1
3	904-0006	Idler Bracket	1
4	904-0004	Shield	1
5	500-0030	Shredder Mounting Pin	1
6	050-0016	Shield Bracket Stud	2
7	502-0005	Drive Shaft	1
8	500-0027	Bearing	2
9	502-0003	Shredder P.T.O.	1
10	030-0029	Tractor P.T.O.	1
11	500-0025	Pulley	1
12	500-0026	Pulley	1
13	100-0024	Idler Pulley	1
14	030-0072	Belt	1
15	3/8-16 x 1 1/2	Hex Cap Screw	1
16	3/8-16 x 1 1/4	Hex Cap Screw	4
17	3/8	Flat Washer	10
18	3/8	Lock Washer	5
19	5/16	Lock Washer	2
20	3/8	Hex Nut	4
21	5/16	Hex Nut	6
22	3/8-24 x 3/8	Set Screw	1
23	5/16-18 x 5/16	Set Screw	2
24	1/4 x 1/4 x 1	Key	3
25	5/16	Wing Nut	2
26	3/32	Hair Cotter	2

WHEN ORDERING, ALWAYS REFER TO PART BY PART NUMBER.